

# Refrigeration Controller for Medium Temperatures

PSK231N5EXBS

PSK231N7EXBS



## Key Features:

- The PSK231 controller manages medium temperature refrigeration units by controlling a compressor and sensing temperature
- Single digital output (relay):  
30A compressor  
1HP @ 120VAC  
2HP @ 230VAC
- Alarm buzzer and TTL serial port (RS485 Modbus®)
- 1 NTC/PTC temperature sensor input
- 1 multipurpose input (configure as switch or temperature sensor)
- IP65 front panel protection
- 3-1/2 digit display shows decimal point values (in Celsius mode) at -10.0° and below
- Easy to understand multicolor display icons
- Front bezel size:  
2.95" x 1.3" (75 x 33 mm)
- Panel cut out:  
2.79" x 1.14" (71 x 29 mm)
- Power supply:  
(N5) 120VAC 50/60 Hz  
(N7) 230VAC 50/60 Hz



PSK231

## Product Overview:

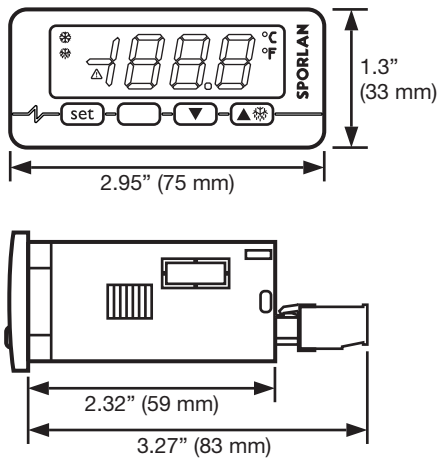
With a high capacity compressor relay, the PSK231 offers a digital controller solution for large compressor (up to 2 HP) open and closed refrigeration units. The PSK231 also provides increased functionality with the multifunction input – which can be configured for a door switch, an evaporator

temperature sensor (for temperature terminated defrost), a condenser temperature sensor (for condenser overheat alarm and compressor lock-out) or to trigger energy saving mode. Other features include temperature alarms and easy setup with the optional programming key.

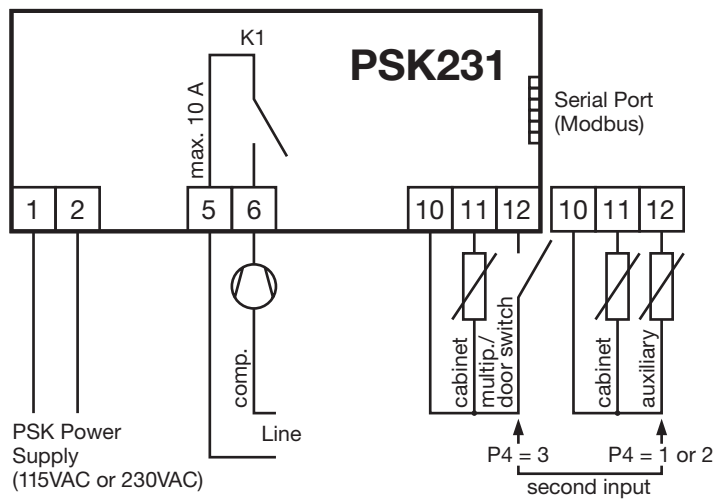


ENGINEERING YOUR SUCCESS.

## Dimensions:



## Electrical Connections:



## Accessories:

<b>NTC Temperature Probe</b> Item Number: 952899 5 ft. (1.5 m) Item Number: 952898 10 ft. (3 m)	
<b>Programming Key</b> Item Number: PSKey	
<b>Power Supply</b> Item Number: PSPS01	
<b>Adaptor - TTL to RS485</b> Item Number: PSIF20TSX	

## Component Diagram:

